

125-694A190 18" Lawn Boss LC-538A (1995)
Main Assembly

Page 2 of 6

Ref #	Part Number	Qty	S/P/F	Description
1	647-0004	1		Control Handle Ass'y
2	731-1633	1		Rear Baffle Code: N notates a new part (not previously existing).
3	710-0605	1	/P	Oval C-Sunk Mach. Scr.
4	736-0501	1	S	Spr. Wash. .66" I.D.
5	712-0279	1		Wing Nut 1/4-20 Thd.
6	646-0875	1	S	Throttle Body
7	712-0324	1	/P	Hex L-Nut 1/4-20 Thd.
8	749-0539B	1	S	Upper Handle
9	746-0876	1	S	Throttle Lever
10	638-0002	1		Axle Ass'y. 19.12" Lg.
11	741-0522	1	S	Hex Flange Brg. .506" I.D.
12	746-0841	1	S	Throttle Control Wire - 60"
13	710-1205	1	/P	Rope Guide
?14	710-0351	1	/P	Recess Hd. B-Tap Scr. #10-16 Thd.
15	720-0276	1	S	Hand Knob
16	746-0557	1	S	Control Cable - 47"
17	726-0240	1	S	Cable Tie
18	710-1174	1	/P	Curved Hd. Bolt 5/16-18 x 2" Lg.
19	749-0928	1	S	Lower Handle
20	811-00185	1	S	Throttle Box Comp. Incl. Ref 3, 4, 5, 6, 9
21	710-1237	1		Hex Self-Tap Scr. #10-32 x .62" Lg.
22	735-0639	1	/P	Spark Plug Boot
23	751B213146	1	/P	Casing Clamp
24	732-0740	1		Ext. Spring 4.28" Lg.
?25	710-0252	1	/P	Hex Bolt 1/4-20 x .85" Lg.
26	713-0443	1		Chain - Endless #48 x 28 Links
27		1		Engine
28	750-0736	1	S	Shld. Spacer .383" I.D.
29	710-1006	1	S	Hex L-Wash. TT-Tap Scr. 3/8-16 x .75" Lg.
30	741-0324	1	S	Hex Flange Brg. .506" I.D.
31	710-1055	1	/P	Hex Bolt 3/8-24 x 1" Lg.
32	736-0169	1	S	L-Wash. 3/8" I.D.
33	712-0241	1	/P	Hex Nut 3/8-24 Thd.
34	712-0296	1	S	Hex Patch L-Nut 3/8-24 Thd.
35	714-0104	1	S	Int. Cotter Pin 5/16" Dia.
36	750-0589	1	S	Spacer .325" I.D. x .88" Lg.
37	732-0580	1		Spring Lever
38	720-0223	1		Grip
39	732-0677	1	S	Torsion Spring - L.H.
40	750-0624	1		Shld. Spacer .387" I.D. x .285" Lg.
41	736-0169	1	S/F	L-Wash. 3/8" I.D.
?42	712-0711	1	/P	Hex Jam Nut 3/8-24 Thd.
43	732-0678	1		Torsion Spring - R.H.
?44	682-3027A	1		Handle Brkt. Ass'y.- L.H.
45	711-0805	1		Shld. Pin 3/8-24 x 1.43" Lg.
46	710-0352	1	/P	Hex Tap Scr. 1/4 x .38" Lg.
47	682-7516	1		Cover Ass'y.
48	682-3028A	1		Handle Brkt. Ass'y. - R.H.
49	710-0892	1	S	Hex L-Wash. AB-Tap Scr. 1/4 x .62" Lg.
52	710-0654A	1	/P	Hex L-Wash. Hd. Scr. 3/8-16 x 1" Lg.
?53	682-0034	1		18" Deck Ass'y.

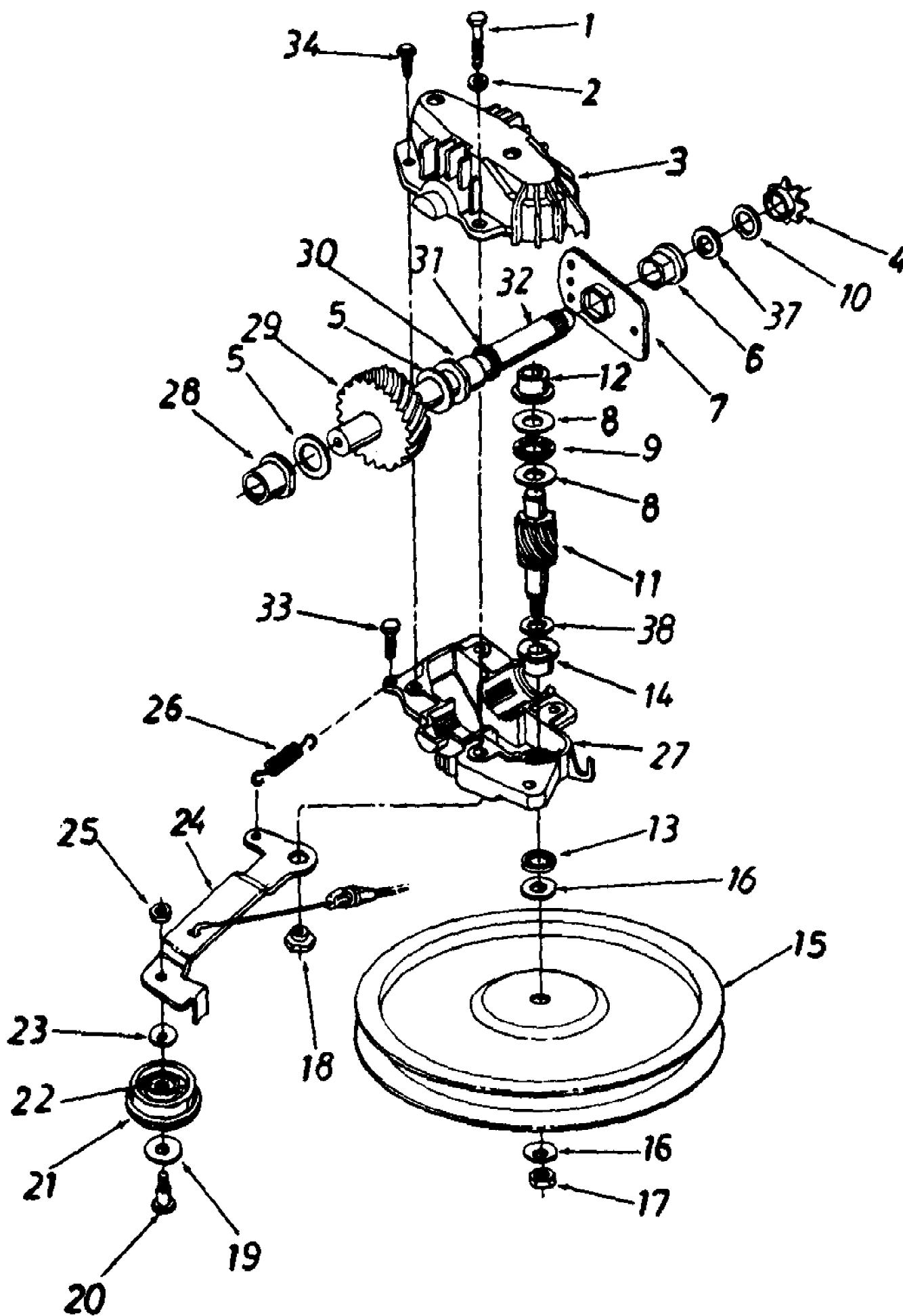
125-694A190 18" Lawn Boss LC-538A (1995)
Main Assembly

Page 3 of 6

Ref #	Part Number	Qty	S/P/F	Description
54	736-0160	1	S	FI-Wash. .531" I.D. x .93"
55	750-0664	1		Spacer .5" I.D. x .88" O.D.
56	731-1486	1		Rear Flap
57	682-7517	1		Rear Axle Ass'y. Comp.
58	710-0778	1	/P	Hex Wash. Hd. Scr. 1/4-20 x 1.5" Lg.
59	712-0711	1	/P	Hex Jam Nut 3/8-24 Thd.
60	750-0289	1		Spacer .510" I.D. x .875"
61	736-0270	1	/P	Bell-Wash. 1/4" I.D.
62	710-0751	1	/P	Hex Bolt 1/4-20 x .62" Lg. (Gr. 5)
63	710-1017	1	/P	Torx Mach. Scr. 1/4 x .62" Lg.
64	710-0969	1	/P	Truss Mach. Scr. #12 x 1" Lg.
65	17323	1		Height Adj. Plate
66	712-0400	1	S	"U"-Nut #10-16 Thd.
67	747-0913	1	S	Grass Bag Frame
68	764-0458	1		Grass Bag
69	736-0119	1	S/F	L-Wash. 5/16" I.D.
70	712-0267	1	S/F	Hex Nut 5/16-18 Thd.
71	782-7568	1		Chute Door
72	736-0452	1	S	Bell-Wash. .39" I.D.
73	742-0618	1		18" Blade
74	753-0484	1		Blade Adapter Kit
75	710-1044	1	/P	Hex Bolt 3/8-24 x 1.5" Lg.
80	736-0105	1	/P	Bell-Wash. .38" I.D. x .88" O.D.
81	720-0251	1		Hub Cap
83	734-1797	1	/P	Wheel Ass'y. Comp.
84	618-0134	1		Transaxle Ass'y. See Breakdown
85	720-0282	1		Rear Hub Cap
86	712-0414	1	S	Weld Top L-Nut 1/4-20 Thd.
87	634-0020	1		Wheel Ass'y. Comp.
88	721-0216	1		Height Adj. Seal
89	738-0102	1	S	Axle Bolt
90	747-0623	1		Chute Door Handle
91	720-0225	1	S	Foam Grip Optional
92	16855	1		Pawl Plate
93	714-0115	1	S	Cotter Pin
94	748-0318	1	S	Ratchet Wheel
95	738-0137	1		Shld. Bolt .342" Dia. x .268"
96	736-0105	1	/P	Bell-Wash. .38" I.D.
103	748-0188B	1	S	Pawl
?104	10622B	1	S	Plastic Spring
105	746-0713	1	S	S.P. Cable 52.5" Lg.
106	710-0841	1	/P	Flat C-Sunk Hd. Tap Scr. #10 x .75" Lg.
107	731-1059	1	S	Cable Mtg. Cap
108	731-1058	1	S	Control Cover Half - Lower
109	731-0620	1	S	Control Lever
110	731-1057	1	S	Control Cover Half - Upper
111	714-0122	1	S	Sq. Key 3/16" x 3/4" Lg.
112	710-0497	1		Set Scr. #10-32 x .25" Lg.
113	756-0554	1		Pulley
117	754-0327	1	S	"V"-Belt
118	747-0914	1	S	Single Lever Adj. Rod
119	714-0507	1	S	Cotter Pin 3/32" Dia.
120	638-0001			

125-694A190 18" Lawn Boss LC-538A (1995)
Main Assembly

Ref #	Part Number	Qty	S/P/F	Description
121	710-0352	1	/P	Hex B-Tap Scr. 1/4" x .38" Lg.
122	731-1514	1		Hardtop Cover



125-694A190 18" Lawn Boss LC-538A (1995)
Transmission

Page 6 of 6

Ref #	Part Number	Qty	S/P/F	Description
1	710-1062	1		Hex Bolt 1/4-20 x 1.25" Lg. w/Patch
2	736-0329	1	S/F	L-Wash. 1/4" I.D.
3	618-0133	1	S	Upper Hsg. Half
4	713-0438	1	S	#48 Sprocket 6 Tooth x 1/2" Pitch
5	736-0336	1	S	FI-Wash. 5/8" I.D. x .03" Thk.
6	741-0324	1	S	Hex Flange Bearing .506" I.D.
7	782-0031	1		Bearing Bracket
8	736-0314	1	S	Thrust Wash. .382" I.D. x .70" O.D.
9	741-0479	1		Thrust Brg. .375" I.D. x .812" O.D.
10	736-3024	1		FI-Wash. 7/16" I.D. x .75" O.D.
11	717-1433	1		10 Tooth Pinion Shaft
12	748-0208A	1	/P	Flange Bearing
13	721-0329	1	S	Oil Seal
14	748-0373	1		Flange Brg. .503" I.D.
15	756-0618	1	S	FI-Pulley 5.06" O.D.
16	736-0425	1	S	Bell-Wash. .325" I.D. x .93" O.D.
17	712-3045	1	S	Hex Jam Nut 5/16-24 L.H. Thd.
18	738-0440	1		Shld. Spacer .375" I.D. x .165"
19	736-0344	1	S	FI-Wash. .390" I.D. x 1" O.D.
20	738-0826	1	S	Shld. Bolt .375" Dia. x .4"
21	656-0008	1	S	Idler Pulley Ass'y. Incl. Ref. #22
22	741-0556	1	S	Needle Brg.
23	736-0270	1	/P	Bell-Wash. .265" I.D. x .75"
24	17052A	1	/P	Idler Brkt. Ass'y.
25	712-0138	1	S	Hex Nut 1/4-28 Thd.
26	732-0357A	1	S	Ext. Spring 1.12" Lg.
27	618-0132	1		Lower Hsg. Half
28	741-0415	1	S	Flange Bearing .566" Dia.
29	717-1432	1		34 Tooth Helical Gear
30	741-0414	1		Flange Bearing .629" Dia.
31	721-0213	1	/P	Oil Seal
32	711-1019	1		Gear Sprocket Shaft
33	710-0589	1	/P	Hex Hd. Tap Scr. #10-16 x .75" Lg.
34	710-0436	1	S	Hex B-Tap Scr. #10 x .62" Lg.
37	736-0369	1	S	FI-Wash. 1/2" I.D. x 1" O.D.
38	736-0520	1	S	FI-Wash..504" I.D. x .7" O.D.
	618-0134	1		Transmission Comp.